

Stock Code: **20110LEDDMG-BL/ACR**

Collection: Margate

PRODUCT INFORMATION

Base: 20110 Parent: 20110LEDD
Mounting Type: Wall UPC: 641594236637
Finish: Black
Diffuser: Acrylic Lens

PRODUCT MEASUREMENTS

FIXTURE	BACKPLATE / CANOPY
Length:	Length
Width: 5"	Width: 5"
Diameter	Diameter:
Height: 10.25"	Height: 10.25"
Extension: 4.5"	
Overall Height:	

TECHNICAL SPECIFICATIONS

SPECIFICATIONS

Frame Material: Steel
Diffuser Material: Acrylic
Lamping Type: SSL (Dedicated LED) Jbox: Standard
Lamping Base: SSL Lamp Wattage: 12 W
Lamp Quantity: 1 Total Wattage: 12 W
Voltage: 120v Lamps Included: Yes

QUALIFICATIONS

Location Rating Wet
Certification: UL (US/Canada) Listed
ADA Compliant: No Energy Star: No
JA8 Compliant: Outdoor Only Emergency Lighting: No
Marine Grade Finish: Yes
Warranty: 5 Year

PHOTOMETRICS

Dimmable: Yes Nominal Lumens 1200 Lm
CRI: 90 Delivered Lumens: 580 Lm
CCT: 3000K
Recommended Dimmers:
(TRIAC)LUTRON Skylark CL SCL-153 or SCL-153P;
(TRIAC)LEVITON Decora Sureslide 6674; (TRIAC)LUTRON
Diva DVCL-153P; (ELV)LUTRON Maestro MAELV-600;
(ELV)LEVITON Decora DSE06-10Z

ADDITIONAL NOTES

Custom Finish 5 Piece Minimum Order Quantity; Optional Color
Tempature 100 Piece Minimum Order Quantity

Project Name: _____

Location: _____

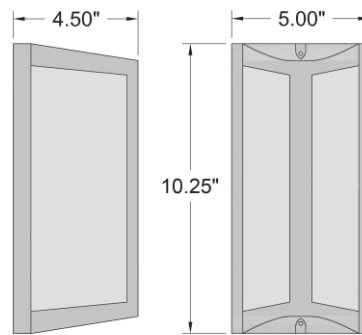
Type: _____

Quantity: _____

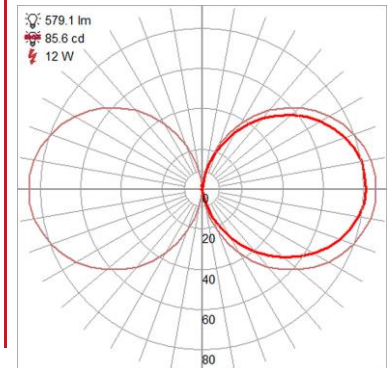
Notes: _____



LINE DRAWING



IES FILE



In addition to Access Lighting's purchase and warranty terms and conditions, by signing below or placing an order, you agree that you are authorized to bind the entity placing any order and acknowledge the following: All of sizes and measurements are approximate and all images are for illustrative purposes only. In the event of an inconsistency, the "Product Measurements" section controls. There also may be slight differences in the colors and designs compared to the displayed and printed images.

Signature: _____

Print Name _____ Date: _____

Toll Free 800-828-5483 www.AccessLighting.com

14410 Myford Road, Irvine, CA 92606

